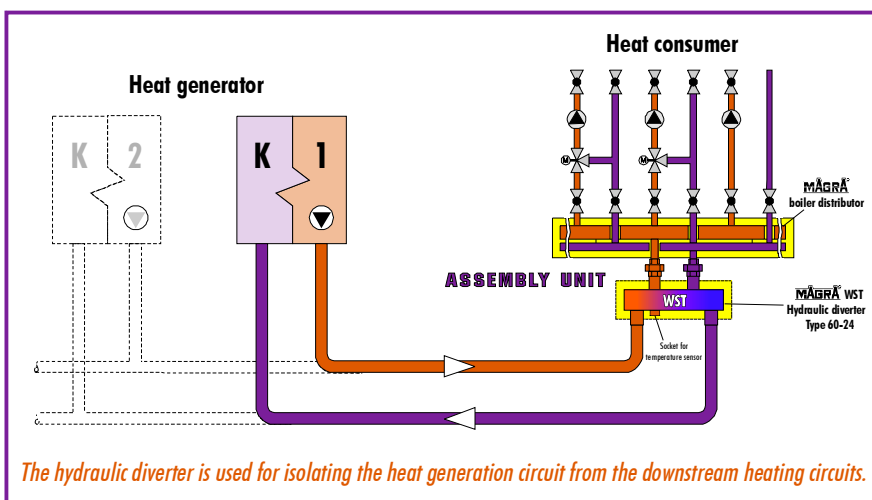


# ASSEMBLY UNIT

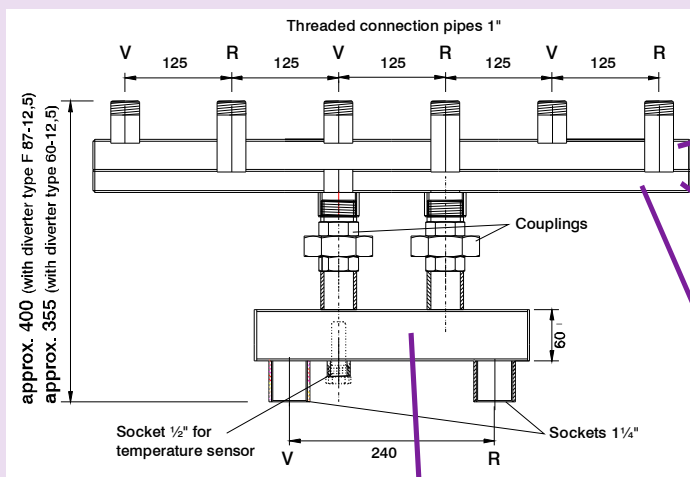
## MAGRA<sup>®</sup>-WST Hydraulic diverter type 60-24

with MAGRA<sup>®</sup>-boiler distributors or Type F

Flow rate up to 3 m<sup>3</sup>/h



- Quick assembly
- Simple and clear pipe routing
- Saves material and space
- Complete prefabricated insulation
- Can be combined with 3 different MAGRA boiler diverters
- Available on stock



**MAGRA<sup>®</sup>-boiler distributors**

Threaded connection pipes 1" or oval flanged connection pipes 1"

**Type 60-12,5**

Boiler connection sockets 1/4"

**MAGRA<sup>®</sup> Dispo**-boiler distributors

Threaded connection pipes 1"

**Type 60-12,5**

With precise dimensions for prefabricated attachment assemblies

Boiler connection threaded connection pipes 1"

**MAGRA<sup>®</sup>-boiler distributors**

Threaded connection pipes 1"

**Type F 87-12,5**

With thermal isolation

Boiler connection threaded connection pipes 1"

**MAGRA<sup>®</sup>-WST hydraulic diverter**

**Type WST 60-24**

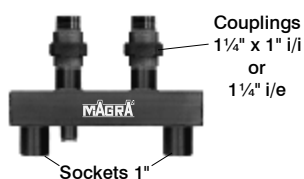
Couplings 1/2"x1" i/i or 1/4" i/e

Sockets 1/4"

# Perfect installation from the very start

# Technical data

## MAGRA<sup>®</sup>-WST hydraulic diverter **Type WST 60-24**



WST hydraulic diverter consisting of: exchanger chamber 60/60 mm made of steel with welded end bottoms.  
2 connection sockets 1 1/4" for heat generator. 2 threaded connection pipes 1 1/4" with 2 screw couplings 1 1/4" i/e for connection to MAGRA boiler distributor type 60-12,5 (or 2 screw couplings 1 1/4"x1" i/i for MAGRA Dispo boiler distributor type 60-12,5 and MAGRA boiler distributor type F 87-12,5).  
1 socket 1/2" (with self-sealing plug) for temperature sensor.  
The hydraulic diverter is pressure-tested and prime-coated in the factory. Max operating pressure 6 bar gauge.

**Flow rate: up to 3 m<sup>3</sup>/h**

Article no.	
600.060.240.4K	For connection to boiler distributor type 60-12,5
600.060.240.4D	For connection to Dispo boiler distributor type 60-12,5 and boiler distributor type F 87-12,5

## MAGRA<sup>®</sup>-PU black prefabricated insulation - according to EnEV.



Consisting of: black PU hard foam half-shells 25 mm thick with cut-outs for connections. Including quick-acting locks.

Article no.	Type WST
676.060.240.4	60-24

# Boiler distributor suitable for assembly unit

## MAGRA<sup>®</sup>-boiler distributors **Type 60-12,5**



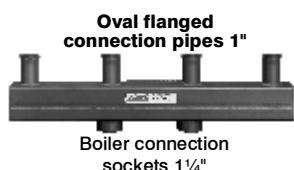
Combined outflow and return flow distributor, consisting of: Distributor chamber for outflow and return flow arranged on top of each another, welded from steel sheet. Double chamber 60/60 mm. Group outlets upward as threaded connection pipe 1" and boiler connection downward as sockets 1 1/4". Outflow and return flow next to each other. Connection pipe and socket distance 125 mm. The distributors is prime-coated in the factory. Max. operating pressure 6 bar gauge.

**Hot water flow rate: up to 3 m<sup>3</sup>/h / Power at Δt 20° : up to 70 kW**

Article no.	Number of heating groups
210.060.125.23	2
210.060.125.33	3
210.060.125.43	4
210.060.125.53	5
210.060.125.63	6
210.060.125.73	7
210.060.125.83	8

## MAGRA<sup>®</sup>-boiler distributors **Type 60-12,5**

Design with oval flanged connection pipes for screw couplings 1".



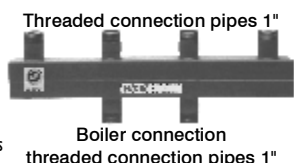
Combined outflow and return flow distributor, consisting of: Distributor chamber for outflow and return flow arranged on top of each another, welded from steel sheet. Double chamber 60/60 mm. Group outlets upward as connection pipe 1" with oval flange for screw coupling 1" and boiler connection downward as sockets 1 1/4". Outflow and return flow next to each other. Connection pipe and socket distance 125 mm. The distributors is prime-coated in the factory. Max. operating pressure 6 bar gauge.

**Hot water flow rate: up to 3 m<sup>3</sup>/h / Power at Δt 20° : up to 70 kW**

Article no.	Number of heating groups
210.060.125.28	2
210.060.125.38	3
210.060.125.48	4
210.060.125.58	5
210.060.125.68	6
210.060.125.78	7
210.060.125.88	8

## MAGRA<sup>®</sup> Dispo-boiler distributors **Type 60-12,5**

With precise dimensions for prefabricated attachment assemblies



Combined outflow and return flow distributor, consisting of: Distributor chamber for outflow and return flow arranged on top of each another, made from steel sheet. Double chamber 60/60 mm. Group outlets upward and boiler connection downward as threaded connection pipe 1". Outflow and return flow next to each other. Connection pipe distance 125 mm. With precise dimensions for prefabricated attachment assemblies. The distributors is prime-coated in the factory. Max. operating pressure 6 bar gauge.

**Hot water flow rate: up to 3 m<sup>3</sup>/h / Power at Δt 20° : up to 70 kW**

Article no.	Number of heating groups
210.100	2
210.101	3
210.102	4
210.103	5
210.104	6

## MAGRA<sup>®</sup>-boiler distributors **Type F 87-12,5**

With thermal separation



Combined outflow and return flow distributor, consisting of: Thermally separated outflow and return flow chamber arranged on top of each another, made from steel sheet. Double chamber 87/87 mm. Group outlets upward and boiler connection downward as threaded connection pipe 1". Outflow and return flow next to each other. Connection pipe distance 125 mm. The distributor is pressure-tested and prime-coated in the factory. Max. operating pressure 6 bar gauge.

**Hot water flow rate: up to 3 m<sup>3</sup>/h / Power at Δt 20° : up to 70 kW**

Article no.	Number of heating groups
210.087.125.23	2
210.087.125.33	3
210.087.125.43	4
210.087.125.53	5

**For accessories like prefabricated insulation, wall fixtures, identification plates, refer to "MAGRA General Price List"**

Specifications and design are subject to modifications for technical improvement

MAGRA Maile + Grammer GmbH  
Ergenzingen · Junghansring 20  
D-72108 Rottenburg a.N.

Phone +49(7457)71-0  
Fax +49(7457)71229 + 71228  
E-mail: [post@magra-verteiler.de](mailto:post@magra-verteiler.de)  
Internet: [www.magra-verteiler.de](http://www.magra-verteiler.de)