

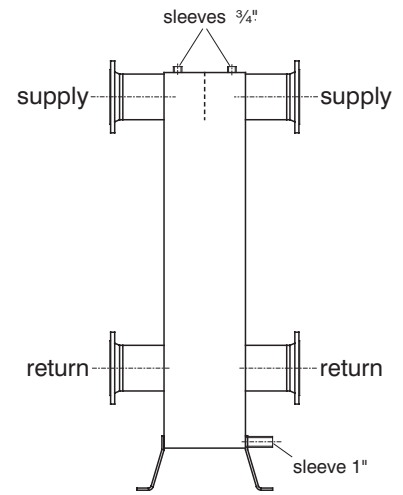
MAGRA[®]-WST hydraulic diverter Types 121 to 401

with sludge trap

(pcs.) MAGRA-WST hydraulic diverter with sludge trap, consisting of:
Exchanger chamber of steel, with welded lid and bottom. Connection nozzle for heat consumer and heat generator, made of steel tubes with welding neck flanges according to DIN, PN 6, PN 10 or PN 16.
Lateral 1" de-sludging connection. Sleeves 3/4" in lid for temperature sensor.
Bases with floor anchoring plates.
The hydraulic diverter has been pressure-tested and prime-coated in the factory.

Application:

Type WST	flow rate in m ³ /h	chamber size in mm	fitting dimensions	total height, including insulation, in mm
121	12	120/120	DN 65	1350
161	21	160/160	DN 80	1390
201	29	200/200	DN 100	1550
251	45	250/250	DN 125	1580
301	65	300/300	DN 150	1650
351	95	350/350	DN 200	1680
401	125	400/400	DN 250	1750



Specifications:

Type 121 - 161 - 201 - 251 - 301 - 351 - 401 WST _____
 flow rate m³/h _____
 max. operating gauge bar _____
 rated flange pressure PN _____

Material: _____ Wage: _____

(pcs.) **MAGRA-ready-made insulation with aluminium sheet jacket and PU hard foam** for above hydraulic diverter, consisting of:
Aluminium sheet jacket and PU hard foam half-shells (thickness: 40 mm (Types 121 and 161), 50 mm (Type 201), 60 mm (Types 251, 301 and 351) for flow temperature up to 100° C. With cut-outs for outlet nozzles, de-sludging and sensors. Including aluminium fixing tapes and quick-acting screw closures.

Material: _____ Wage: _____

(pcs.) or **MAGRA-ready-made insulation with galvanized steel sheet jacket and mineral fibre** according to EnEV for above hydraulic diverter, consisting of galvanized steel sheet jacket with quick-acting closures and 100 mm thick mineral fibre, designed as half-shells. With cut-outs for outlet nozzles, de-sludging and sensors.

Material: _____ Wage: _____

(pcs.) **MAGRA-identification labels 85 for identification of the outlet nozzles.** The labels are fixed to the MAGRA-ready-made insulation using the enclosed screws. Identification can be effected using standard text strips 100 x 9.25 mm (Simplex, Sikla, Klug), inserting embossed labels or by creating your own labels. The identification field is protected by a plug-type transparent cap. Size of label: 110 x 24 mm.

Material: _____ Wage: _____

Design with sludge trap and cleaning opening - see overleaf

Description of products

MAGRA®-WST hydraulic diverter Types 120 to 400

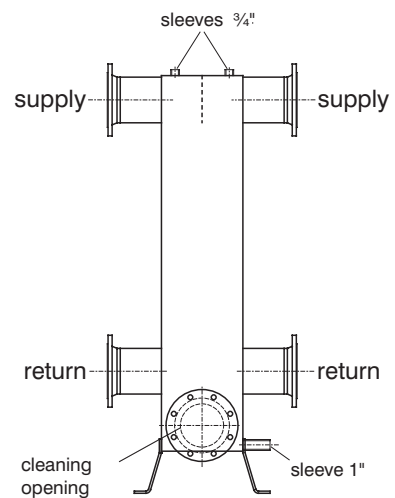
with sludge trap and cleaning opening

(pcs.)

MAGRA-WST hydraulic diverter with sludge trap and cleaning opening, consisting of: Exchanger chamber of steel, with welded lid and bottom. Connection nozzle for heat consumer and heat generator, made of steel tubes with welding neck flanges according to DIN, PN 6, PN 10 or PN 16. Cleaning opening with blind flange and lateral de-sludging connection 1". Sleeves 3/4" in lid for temperature sensor. Bases with floor anchoring plates. The hydraulic diverter has been pressure-tested and prime-coated in the factory.

Application:

Type WST	flow rate in m ³ /h	chamber size in mm	fitting dimensions	total height, including insulation, in mm
120	12	120/120	DN 65	1350
160	21	160/160	DN 80	1390
200	29	200/200	DN 100	1550
250	45	250/250	DN 125	1580
300	65	300/300	DN 150	1650
350	95	350/350	DN 200	1680
400	125	400/400	DN 250	1750



Specifications:

Type 120 - 160 - 200 - 250 - 300 - 350 - 400 WST _____
 flow rate m³/h _____
 max. operating gauge bar _____
 rated flange pressure PN _____

Material: _____ Wage: _____

(pcs.)

MAGRA-ready-made insulation with aluminium sheet jacket and PU hard foam for above hydraulic diverter, consisting of: Aluminium sheet jacket and PU hard foam half-shells (thickness: 40 mm (Types 120 and 160), 50 mm (Type 200), 60 mm (Types 250, 300 and 350) for flow temperature up to 100° C. With cut-outs for outlet nozzles, de-sludging and sensors. Including aluminium fixing tapes and quick-acting screw closures.

Material: _____ Wage: _____

(pcs.)

or **MAGRA-ready-made insulation with galvanized steel sheet jacket and mineral fibre** according to EnEV for above hydraulic diverter, consisting of galvanized steel sheet jacket with quick-acting closures and 100 mm thick mineral fibre, designed as half-shells. With cut-outs for outlet nozzles, de-sludging and sensors.

Material: _____ Wage: _____

(pcs.)

MAGRA-identification labels 85 for identification of the outlet nozzles. The labels are fixed to the MAGRA-ready-made insulation using the enclosed screws. Identification can be effected using standard text strips 100 x 9.25 mm (Simplex, Sikla, Klug), inserting embossed labels or by creating your own labels. The identification field is protected by a plug-type transparent cap. Size of label: 110 x 24 mm.

Material: _____ Wage: _____