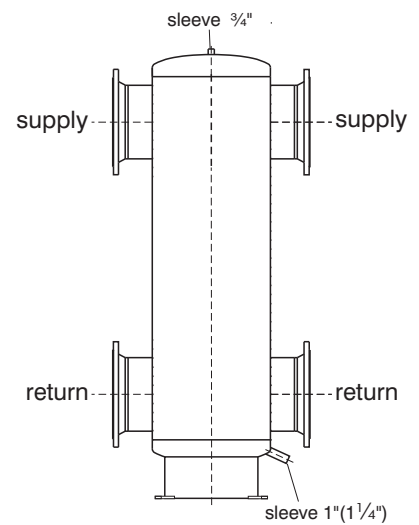


MAGRA[®]-WST hydraulic diverter Types 501Ø to 1101Ø with sludge trap

(pcs.) MAGRA-WST hydraulic diverter with sludge trap, consisting of:
Exchanger chamber of steel, with welded dished bottoms. Connection nozzle for heat consumer and heat generator, made of steel tubes with welding neck flanges according to DIN, PN 6, PN 10 or PN 16.
De-sludging connection 1" (1 1/4"). Sleeve 3/4" for de-aeration.
Bases with floor anchoring plates.
The hydraulic diverter has been pressure-tested and prime-coated in the factory.

Application:

Type WST	flow rate in m ³ /h	fitting dimensions	size of chamber	Total height in mm
501AØ	170	DN 250	Ø 500 mm	1900
501BØ	225	DN 300	Ø 500 mm	2000
601AØ	300	DN 350	Ø 600 mm	2300
601BØ	400	DN 400	Ø 600 mm	2450
701 Ø	540	DN 500	Ø 700 mm	2765
801 Ø	700	DN 500	Ø 800 mm	2815
901 Ø	890	DN 600	Ø 900 mm	3070
1001 Ø	1100	DN 600	Ø 1000 mm	3120
1101 Ø	1335	DN 700	Ø 1100 mm	3380



Specifications:

Type 501AØ - 501BØ - 601AØ - 601BØ - 701Ø - 801Ø - 901Ø - 1001Ø - 1101Ø WST _____
flow rate m³/h _____
max. operating gauge bar _____
rated flange pressure PN _____

Material: _____ Wage: _____

(pcs.) **MAGRA-ready-made insulation with galvanized steel sheet jacket and mineral fibre** according to EnEV for above hydraulic diverter (up to Type 601B), consisting of galvanized steel sheet jacket with quick-acting closures and 100 mm thick mineral fibre, designed as half-shells. With cut-outs for outlet nozzles, de-sludging and de-aeration.

Material: _____ Wage: _____

(pcs.) **MAGRA-identification labels 85 for identification of the outlet nozzles.** The labels are fixed to the MAGRA-ready-made insulation using the enclosed screws. Identification can be effected using standard text strips 100 x 9.25 mm (Simplex, Sikla, Klug), inserting embossed labels or by creating your own labels. The identification field is protected by a plug-type transparent cap. Size of label: 110 x 24 mm.

Material: _____ Wage: _____

Design with sludge trap and cleaning opening - see overleaf

Description of products

MAGRA®-WST hydraulic diverter Types 500Ø to 1100Ø

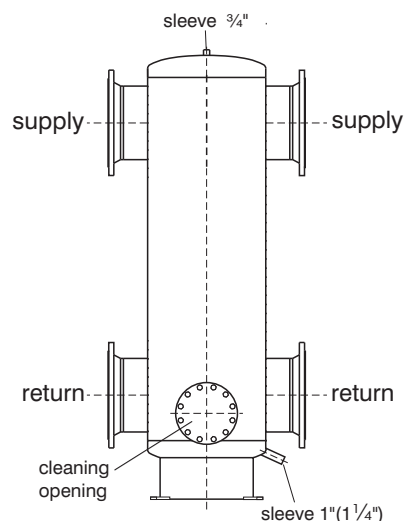
with sludge trap and cleaning opening

(pcs.)

MAGRA-WST hydraulic diverter with sludge trap and cleaning opening, consisting of:
 Exchanger chamber of steel with welded dished bottoms. Connection nozzle for heat consumer and heat generator, made of steel tubes with welding neck flanges according to DIN, PN 6, PN 10 or PN 16.
 Cleaning opening with blind flange and de-sludging connection 1" (1 1/4"). Sleeve 3/4" for de-aeration. Bases with floor anchoring plates.
 The hydraulic diverter has been pressure-tested and prime-coated in the factory.

Application:

Type WST	flow rate in m³/h	fitting dimensions	size of chamber	Total height in mm
500AØ	170	DN 250	Ø 500 mm	1900
500BØ	225	DN 300	Ø 500 mm	2000
600AØ	300	DN 350	Ø 600 mm	2300
600BØ	400	DN 400	Ø 600 mm	2450
700 Ø	540	DN 500	Ø 700 mm	2765
800 Ø	700	DN 500	Ø 800 mm	2815
900 Ø	890	DN 600	Ø 900 mm	3070
1000 Ø	1100	DN 600	Ø 1000 mm	3120
1100 Ø	1335	DN 700	Ø 1100 mm	3380



Specifications:

Type 500AØ - 500BØ - 600AØ - 600BØ - 700Ø - 800Ø - 900Ø - 1000Ø - 1100Ø WST _____
 flow rate m³/h _____
 max. operating gauge bar _____
 rated flange pressure PN _____

Material:

Wage:

(pcs.)

MAGRA-ready-made insulation with galvanized steel sheet jacket and mineral fibre according to EnEV for above hydraulic diverter (up to Type 600B), consisting of galvanized steel sheet jacket with quick-acting closures and 100 mm thick mineral fibre, designed as half-shells. With cut-outs for outlet nozzles, de-sludging and de-aeration.

Material:

Wage:

(pcs.)

MAGRA-identification labels 85 for identification of the outlet nozzles. The labels are fixed to the MAGRA-ready-made insulation using the enclosed screws. Identification can be effected using standard text strips 100 x 9.25 mm (Simplex, Sikla, Klug), inserting embossed labels or by creating your own labels. The identification field is protected by a plug-type transparent cap. Size of label: 110 x 24 mm.

Material:

Wage: